

5MP ColourHunter HD Fixed Bullet Analog Camera UAC-B145-AF28(40)-WL



Overview

UAC-B145-AF28(40)-WL is a 5MP ColorHunter HD fixed bullet analog camera with a high-performance 1/3.0-inch CMOS sensor. It supports TVI/AHD/CVI/CVBS, which effectively enhances product adaptability and diversity of networking solutions. With SYV-75-3 or other coaxial cable types, the camera can achieve low-cost, long-distance, anti-interference megapixel HD video transmission without time delay. It supports audio input, synchronous transmission of audio and video, and provides 24/7 color images.

Features

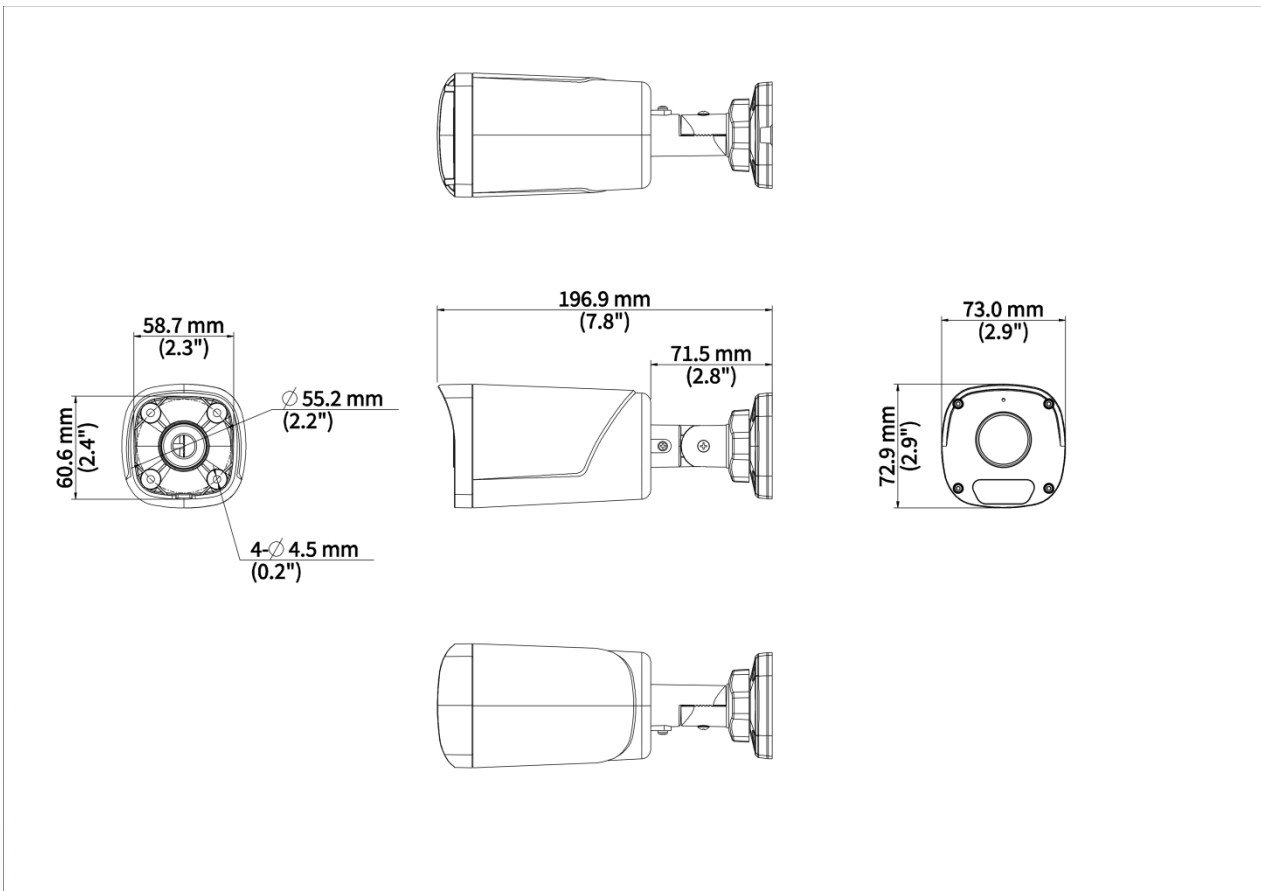
- 5MP high quality image
- TVI/AHD/CVI/CVBS
- Supports white light illumination, 24/7 color images
- 3D noise reduction technology delivers clean and sharp images
- Supports 180° horizontal flip, 180° vertical flip
- OSD configuration menu, easy to operate
- IP67 waterproof and dustproof design, high reliability
- OSD configuration menu in 11 languages
- Built-in microphone for high quality audio transmission via coaxial cables

Specifications

Model	UAC-B145-AF28-WL	UAC-B145-AF40-WL
Camera		
Max Resolution	5 MP	
Sensor Size	1/3.0" CMOS	
Min. Illumination	0.001 lux (F1.0, AGC ON) 0 lux (Illuminator ON)	
Lens		
Focus	2.8 mm	4.0 mm
Lens Mount	M12	
Angle of View (H)	94.7°	78.1°
Angle of View (V)	51.6°	43.8°
Angle of View (D)	111.4°	91.3°
Illuminator		
Illuminator Number	Two white-light illuminators	
Illumination Distance	40m	
Lifetime	≥ 60000 hours	
Video		
Resolution	3K@20fps: 2960(H)×1665(V); 5MP@20fps: 2592(H)×1944(V); 5MP@12.5fps: 2592(H)×1944(V) 4MP: 2560(H)×1440(V) 1080P: 1920(H)×1080(V)	
Frame Rate	TVI: 5MP@20fps (default), 3K@20fps, 5MP@12.5fps, 4MP@25fps, 4MP@30fps, 2MP@25fps, 2MP@30fps, AHD: 5MP@20fps, 4MP@25fps, 4MP@30fps, 2MP@25fps, 2MP@30fps, CVI: 5MP@20fps, 4MP@25fps, 4MP@30fps, 2MP@25fps, 2MP@30fps, CVBS: PAL, NTSC	
Shutter Time	PAL: 1/25 s-1/50000 s, NTSC: 1/30 s-1/50000 s	
Image		
Exposure Mode	Four modes: Global (default), BLC, HLC, DWDR	
Day/Night	24/7 color images	
Digital Noise Reduction	2D/3D	
White Balance	Two modes: Auto (default), Manual	
WDR	DWDR	
Flip	Supports 180°horizontal flip, 180°vertical flip	
Digital Defog	N/A	
Audio		
Built-in Mic	Support	
Camera Audio	TVI: 3K@20fps, 5MP@20fps, 5MP@12.5fps, 4MP@25fps, 4MP@30fps, 1080P@25fps, 1080P@30fps CVI: 5MP@20fps, 4MP@25fps, 4MP@30fps, 1080P@25fps, 1080P@30fps	
Interface		
Power Interface	5.5 mm Power Interface	

Video Output	BNC, supports TVI/AHD/CVI/CVBS
Operating Environment	
Temperature	-30 °C to 60 °C (-22 °F to 140 °F)
Humidity	≤ 95% RH (non-condensing)
Surge Protection	4 KV for power, 4 KV for video output interfaces
General	
Power	DC 12 V±25%
Power Consumption	Max 2.1 W
Mount	Corner Mount, Pole Mount
Dimensions	197mm*73mm*73mm (L*W*H)
Material	Graphene + Plastic
Weight	0.27 kg (0.60 lb.)
OSD Menu Language	11 Languages: English, German, Spanish (Latin America), French, Italian, Japanese, Korean, Polish, Portuguese (Brazil), Russian, Turkish
Certification	
EMC	CE-EMC (EN 55032, EN 61000-3-3, EN IEC 61000-3-2, EN 50130-4), FCC (FCC 47 CFR part15 B)
Safety	CE-LVD (EN IEC 62368-1)
Environment	CE-RoHS (2011/65/EU; (EU) 2015/863); WEEE (2012/19/EU)
Protection	IP67 (IEC 60529)

Dimensions



Accessories

TR-JB05-A-IN

Small Bullet Junction Box(Support wiring from behind,Square)



TR-UP06-B-IN

Bullet Pole Mounting Bracket



TR-UP06-C-IN

Pole Mounting Bracket for Bullet Junction Box Only



TR-A01-IN

NPT 3/4" Waterproof Cable Gland



TR-UC08-C-V2

Bullet&Dome Corner Mounting Bracket



PWR-DC1201A-UK

DC12V/1A Wall Plug British Standard Power Adapter



PWR-DC1201B-UK

UNV DC12V/1A Wall Plug British Standard Power Adapter(Colorful Bag)



PWR-DC1201A-US

DC12V/1A Wall Plug American Standard Power Adapter



PWR-DC1201B-US

UNV DC12V/1A Wall Plug American Standard Power Adapter(Colorful Bag)



PWR-DC1201A-EU

DC12V/1A Wall Plug European Standard Power Adapter



PWR-DC1201B-EU

UNV DC12V/1A Wall Plug European Standard Power Adapter(Colorful Bag)



PWR-DC1201A-IND

UNV DC12V/1A Wall Plug Indian Standard Power Adapter-Colorful Bag



Zhejiang Uniview Technologies Co., Ltd.

- <http://www.uniview.com>
- overseasbusiness@uniview.com; globalsupport@uniview.com
- No. 369, Xietong Road, Xixing Sub-district, Binjiang District, Hangzhou City, 310051, Zhejiang Province, China



©2023-2025 Zhejiang Uniview Technologies Co., Ltd. All rights reserved.
 *Product specifications and availability are subject to change without notice.
 *Despite our best efforts, technical or typographical errors may exist in this document.
 Uniview cannot be held responsible for any such errors and reserves the right to change the contents of this document without prior notice.